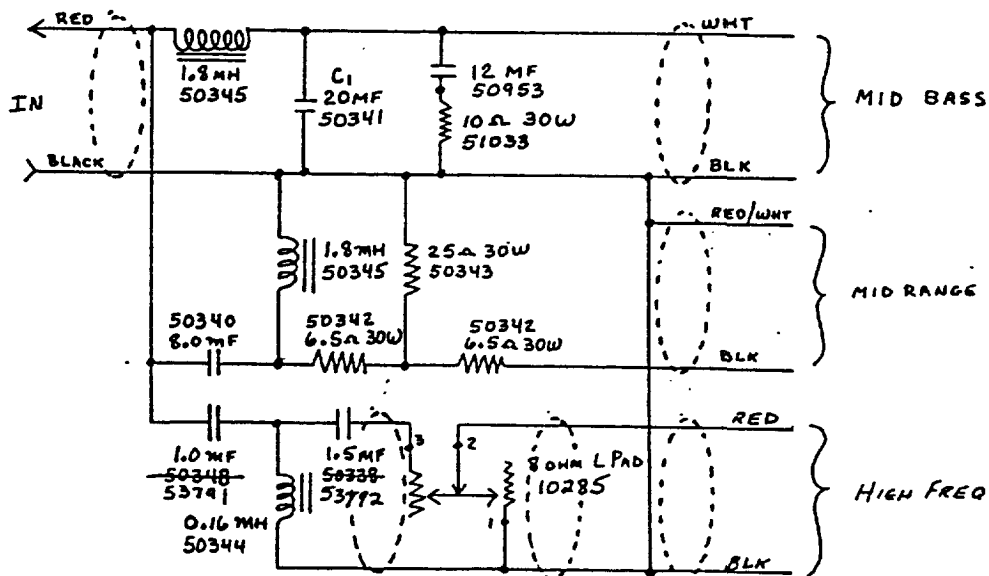


SPECIFICATIONS: NOTE ①

LOAD Z	LOW PASS	CROSS OVER	HIGH PASS	ATTENUATION
	800HZ	1.2KHZ	2KHZ	
8	MB -4	MB -10	MB -18	
	MR -17	MR -10	MR -9	
	6 KHZ	7.5 KHZ	10 KHZ	10 KHZ
8	MR -9	MR -9	MR -9	
	HF -17	HF -9	HF -5	HF VAR

CIRCUIT:

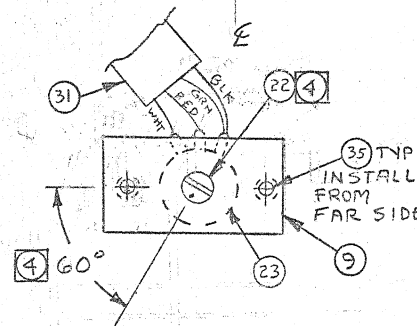
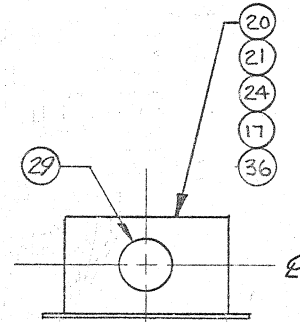
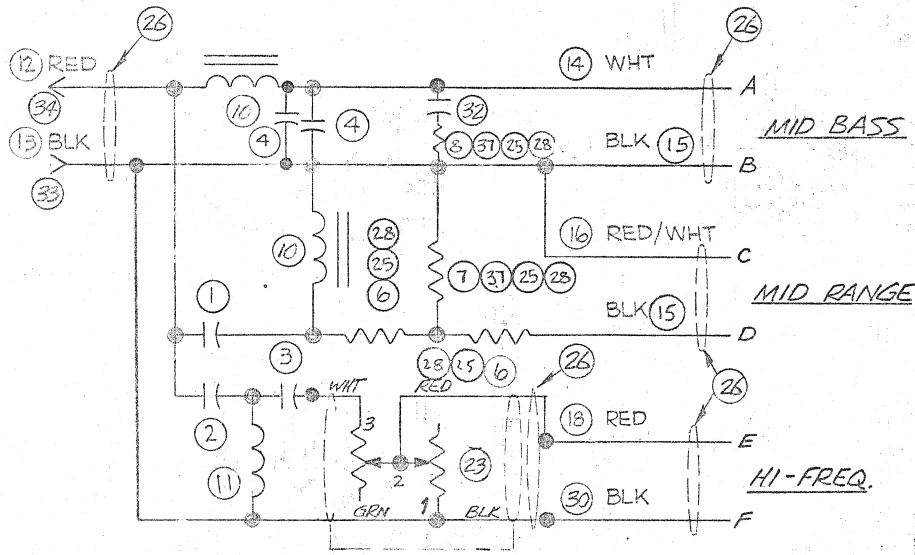


NOTES:

- ① USE STANDARD TEST FIXTURE
- ② C1 20MF P/N 50341 CAN BE TWO 10MF'S P/N 53799
- ③ 50348 1MF CHANGED TO 53791
- ④ 53792 WQS 50338

M	11-75
K	4-75

THESE DRAWINGS AND SPECIFICATIONS ARE THE PROPERTY OF JAMES B. LANSING SOUND INC. THEY ARE ISSUED IN STRICT CONFIDENCE AND SHALL NOT BE REPRODUCED, COPIED, OR USED AS THE BASIS FOR MANUFACTURE OR SALE OF APPARATUS WITHOUT PERMISSION.



ITEM	P/N	DESC	QTY
1	53797	CAP, 8.0 UFD MRD 53803	1
2	53791	" , 1.0 UFD MRD 53803	1
3	53792	" , 1.5 UFD MRD 53803	1
4	53799	" , 10 UFD MRD 53803	2
5			
6	50342	RES, 6.5 Ω 30W MRD 51093	2
7	50343	" , 12.5 Ω " " "	1
8	51033	" , 10 Ω " " "	1
9	50424	MTG BOARD MRD 50281	1
10	50345	INDUCTOR, 1.8 MHY	2
11	50344	INDUCTOR, 0.16 MHY	1
12	37960	WIRE, RED, 18" MRD 37050	1
13	37635	" BLK, 18" MRD 37055	1
14	37807	" WHT, 36" MRD 37056	1
15	39661	" BLK 36" MRD 37055	2
16	51093	" RED/WHT 36" MRD 37061	1
17	12893	SPEED NUT	4
18	39767	WIRE, RED 40" MRD 37050	1
19	13224	POTTING WAX	AK
20	51031	NETWORK CONTAINER MRD 51032	1
21	51015	P.C. BOARD	1
22	52192	KNOB MRD 52191	1
23	10285	L-PAD	1
24	10811	PHMS 6-32 X 3/8	4
25	89508	NUT, KEPS 6-32	8
26	353538	CABLE TIE	5
27			
28	21872	SCREW, 6-32 X 3/4	8
29	51066	FOILCAL MRD 35434	1
30	37669	WIRE BLK 40" MRD 37055	1
31	51035	CABLE 4 COND 18" L	1
32	50953	CAP 12 MFD	1

37	11638	WASHER	8
36	11908	LOCKWASHER #6	4
35	51204	THREADED RIVET	2
34	50473	TERMINAL, MALE	1
33	50289	TERMINAL, FEMALE	1

NOTES:
1. DELETED

2 SEE 51041 REF. FOR TEST SPECS.

3 DELETED

4 KNOB TO BE INSTALLED AS SHOWN WHEN SHAFT OF ITEM 23 IS ROTATED TO FULL "C.C.W." TOP OF KNOB TO PROTRUDE 29/32 ABOVE ITEM 9.

QTY	MODEL	NEXT DWG	BY	DATE	CHANGE
704A	K	REV. PER E.O.		7/25/72	
9193	J	REVISED PER E.O.		9/24/73	
9081	H	REVISED PER E.O.		7-74	00
R 7100E	G	53672 MRD 35424		6-74	00
E 5772	F	REV PER E.O.		3-74	00
V 3790	E	REVISED PER ECN		10-73	00
I 9217	D	REV PER E.O.		6-73	00
S 2633	C	REV PER E.O.		3-73	00
I 8583	B	DER ECN		3-73	00
O 3915	A	REL FOR PRDD		11-20-65	
N	ECN	LET.			
S	ECN	LET.			

UNLESS OTHERWISE SPECIFIED DIMENSIONS ARE IN INCHES.
BREAK SHARP EDGES - 015-

DECIMALS FRACTIONS ANGULAR
XXX.XX .01 XXX.XX/100 XXX.XX/32

MATERIAL: _____
TREATMENT: _____
MACHINE FINISH: V
DO NOT SCALE DRAWING

DRAWN: *kg mlh/bc*
CHECK: *RT 77*
11/17/72
DESIGN: *W. J. ...*
ENG: *W. J. ...*
APPR: *RTS 11-13-72*

JBL JAMES B. LANSING SOUND INC.
(35 ANGELO) CHIT. 90039
TITLE: MFD ITEM, 3107
SIZE: B MFD ITEM DWG
DRAWING NUMBER: 51042
REV: K
SCALE: _____ WEIGHT: _____ SHEET: _____ OF: _____